
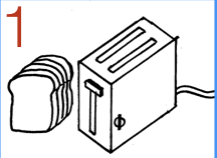
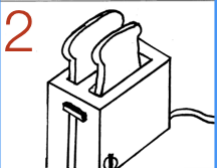



Adventure Series:
Computer Science
Writing an algorithm

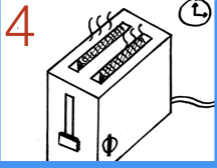
Make toast




1 

2 

3 

4 

5 

Fry an egg



①

②

③

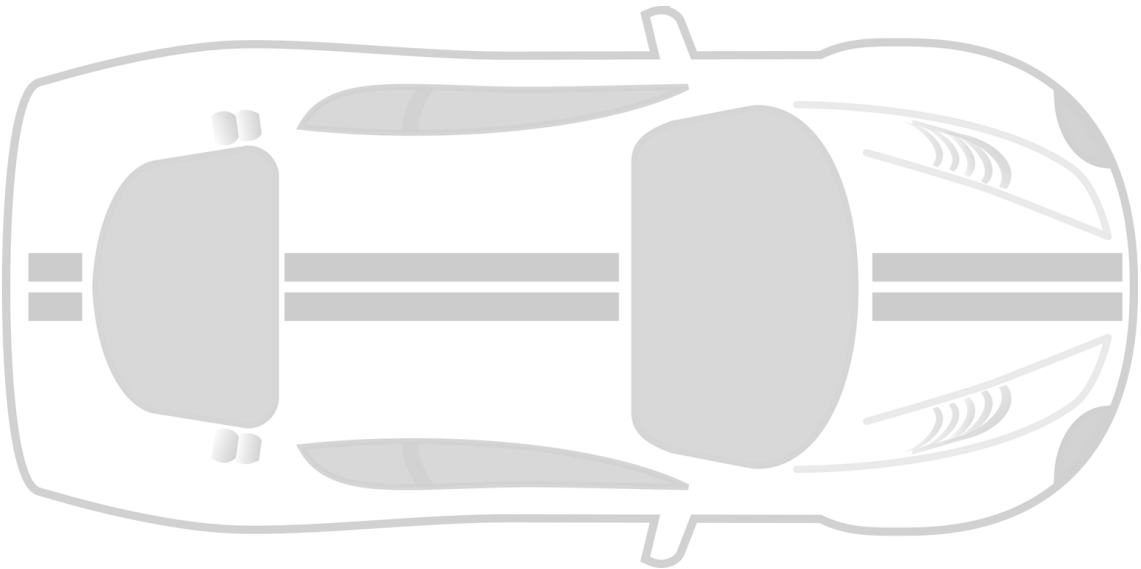
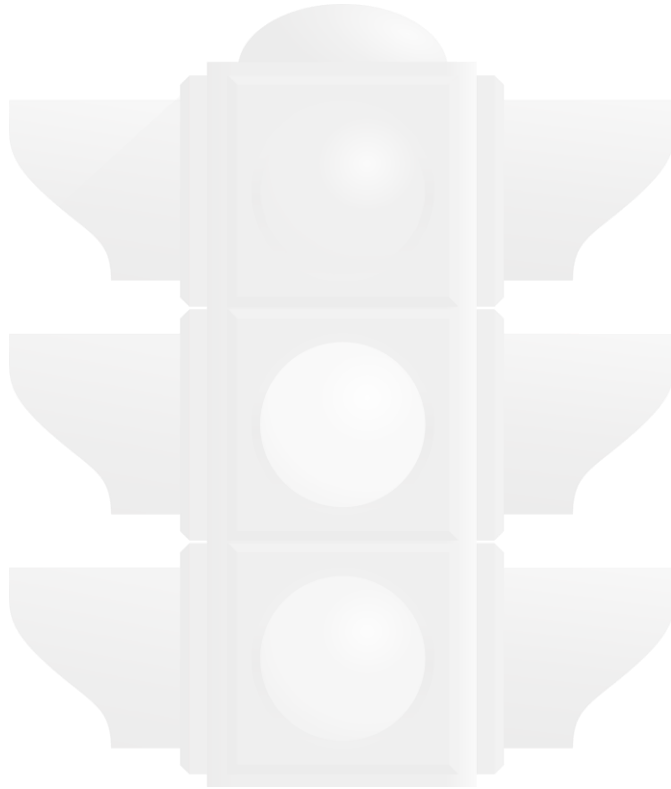
④

⑤

Using algorithms to solve problems

K.I.T.T.

Write an algorithm for a self-driving car that can stop at a red traffic light



Using algorithms to solve problems

Dr. Phone

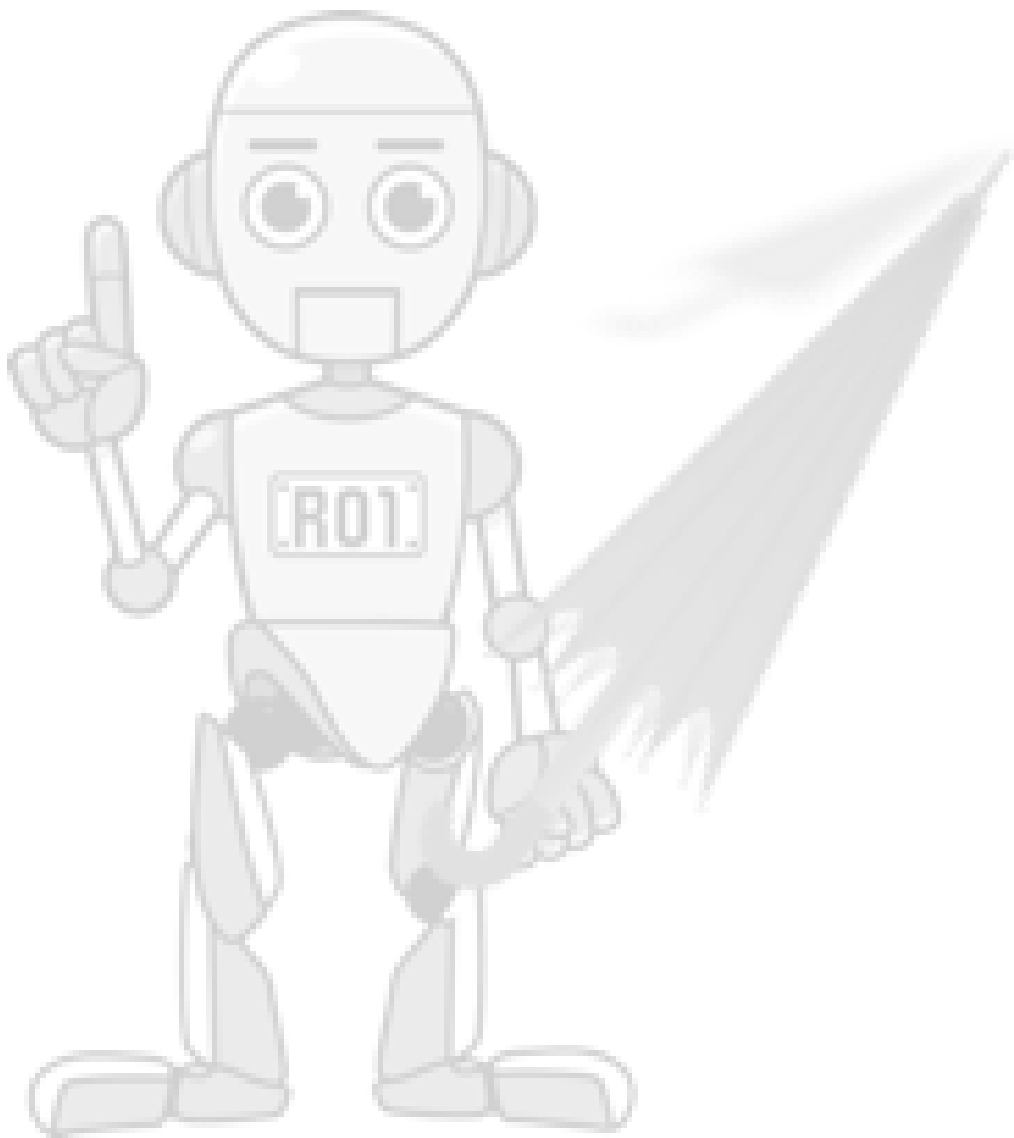
Write an algorithm for a smartphone app that checks your temperature and calls the doctor if it's too high



Using algorithms to solve problems

Umbrella-bot

Write an algorithm for a robot that prepares an umbrella when it's raining





Adventure Series:
Computer Science

Using algorithms to solve problems

Look at the algorithm below and answer the questions:

```
Step 1: Player 1 INPUT Secret Number
Step 2: Player 2 INPUT Guess
Step 3: IF Guess > Secret Number
        OUTPUT "Too High"
        ELSE IF Guess < Secret Number
        OUTPUT "Too Low"
        ELSE
        OUTPUT "That's it!"
```

Player 1's input is 37 ("Secret Number" = 37)

Player 2's input is 43 ("Guess" = 43)

Which message will output?
